

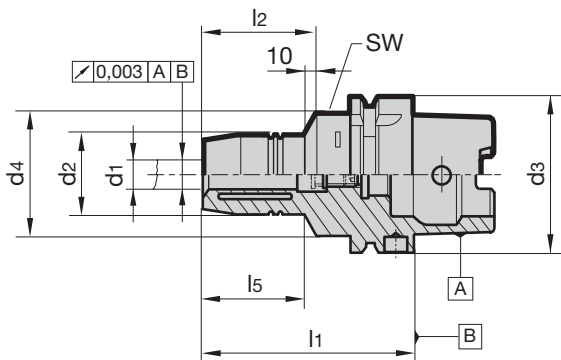
HSK-A hydraulic chucks with increased clamping force

Product information

- balancing quality: G6.3 / 15,000 rev./min
- axial length setting
- max. deviation f. concentricity 3 µm
- for tool shank tolerance h6
- to DIN 69882-7
- also available in extra-long lengths
l1 = 150 / 160 mm and 200 mm

Scope of delivery

- incl. adjustment screw Guhring no. 4900
- incl. hexagon chuck key Guhring no. 4912
- order coolant delivery set Guhring no. 4949 separately



Series Number **4299**

HSK-A d ₃	for shank Ø d _{1h6} mm	d ₂ mm	d ₄ mm	l ₁ mm	l ₂ mm	l ₅ mm	incl. setting screw 4900	SW	kg	Order Code	EDP Numbers
32	6	26	40	80	37	29	904900060140	4	0.44	6.032	9042990060320
32	8	28	40	80	37	29	904900080140	4	0.40	8.032	9042990080320
32	10	30	40	85	41	35	904900080140	4	0.40	10.032	9042990100320
32	12	32	40	90	46	40	904900080140	4	0.40	12.032	9042990120320
40	6	26	33.5	70	37	36	904900060140	4	0.60	6.040	9042990060400
40	8	28	33.5	70	37	36	904900080140	4	0.60	8.040	9042990080400
40	10	30	33.5	75	41	42	904900080140	4	0.60	10.040	9042990100400
40	12	32	33.5	80	46	48	904900080140	4	0.60	12.040	9042990120400
50	6	26	40	70	37	28	904900060140	4	0.80	6.050	9042990060500
50	8	28	40	70	37	28	904900080140	4	0.80	8.050	9042990080500
50	10	30	40	75	41	34	9049000100140	4	0.80	10.050	9042990100500
50	12	32	40	85	46	44	9049000120140	4	0.80	12.050	9042990120500
50	14	34	40	85	46	44	9049000120140	5	0.80	14.050	9042990140500
50	16	38	40	90	49	30	9049000160140	5	0.80	16.050	9042990160500
50	18	40	40	90	49	30	9049000160140	5	1.10	18.050	9042990180500
50	20	42	40	90	51	29	9049000201140	5	1.10	20.050	9042990200500
63	6	26	50	70	37	24.5	904900060140	5	0.97	6.063	9042990060630
63	8	28	50	70	37	24.5	904900080140	5	1.00	8.063	9042990080630
63	10	30	50	80	41	35.5	9049000100140	5	1.00	10.063	9042990100630
63	12	32	50	85	46	41.5	9049000120140	5	1.10	12.063	9042990120630
63	14	34	50	85	46	41.5	9049000120140	5	1.10	14.063	9042990140630
63	16	38	50	90	49	45.5	9049000160140	5	1.20	16.063	9042990160630
63	18	40	50	90	49	48.5	9049000160140	5	1.20	18.063	9042990180630
63	20	42	50	90	51	47.5	9049000201140	5	1.20	20.063	9042990200630
63	25	57	63	120	57	55.3	9049000201140	6	2.10	25.063	9042990250630
63	32	64	75	125	61	63	9049000201140	6	2.40	32.063	9042990320630
63	6	26	50	150	37	103	904900060140	5	1.50	6.163	9042990061630
63	8	28	50	150	37	104	904900080140	5	1.50	8.163	9042990081630
63	10	30	50	150	41	104	9049000100140	5	1.50	10.163	9042990101630
63	12	32	50	150	46	105	9049000120140	5	1.50	12.163	9042990121630
63	14	34	50	150	46	105	9049000120140	5	1.70	14.163	9042990141630
63	16	38	50	150	49	106	9049000160140	5	1.80	16.163	9042990161630
63	18	40	50	150	49	107	9049000160140	5	1.90	18.163	9042990181630
63	20	42	50	150	51	108	9049000201140	5	1.90	20.163	9042990201630