

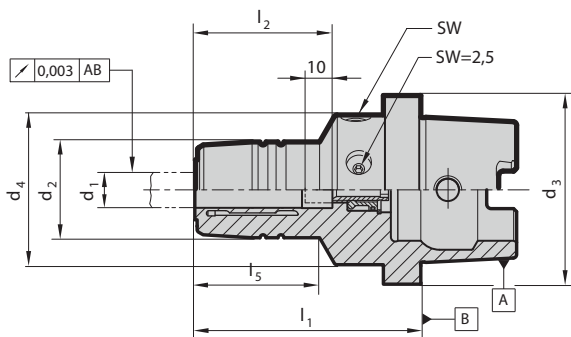
HSK-C hydraulic chucks with radial length adjustment

Product information

- balancing quality: G6.3 / 15,000 rev./min
- robust, radially operated length setting
- max. deviation f. concentricity 3 µm
- for tool shank tolerance h6
- to DIN 69882-7

Scope of delivery

- incl. hexagon chuck key Guhring no. 4912
- incl. hexagon key inserts for radial length setting



Series Number **4295**

HSK-C d ₃	for shank Ø d _{1 h6} mm	d ₂ mm	d ₄ mm	l ₁ mm	l ₂ mm	l ₅ mm	SW	kg	Order Code	EDP Numbers
40	6	26	33.5	60	37	32.5	5	0.50	6.040	9042950060400
40	8	28	33.5	60	37	33	5	0.50	8.040	9042950080400
40	10	30	33.5	65	41	38.5	5	0.50	10.040	9042950100400
40	12	32	33.5	70	46	44	5	0.60	12.040	9042950120400
50	6	26	40	60	37	29.5	5	0.60	6.050	9042950060500
50	8	28	40	60	37	29.5	5	0.60	8.050	9042950080500
50	10	30	40	65	41	35.5	5	0.60	10.050	9042950100500
50	12	32	40	75	46	46	5	0.80	12.050	9042950120500
50	14	34	40	75	46	47	5	0.90	14.050	9042950140500
50	16	38	50	80	49	50	5	0.90	16.050	9042950160500
50	18	40	50	80	49	50	5	1.00	18.050	9042950180500
50	20	42	50	80	51	50	5	1.00	20.050	9042950200500
63	6	26	50	60	37	26	5	1.00	6.063	9042950060630
63	8	28	50	60	37	26	5	1.10	8.063	9042950080630
63	10	30	50	65	41	32	5	1.10	10.063	9042950100630
63	12	32	50	75	46	42.5	5	1.10	12.063	9042950120630
63	14	34	50	75	46	43	5	1.10	14.063	9042950140630
63	16	38	50	80	49	49	5	1.20	16.063	9042950160630
63	18	40	50	80	49	50	5	1.20	18.063	9042950180630
63	20	42	50	80	51	50.5	5	1.20	20.063	9042950200630
63	25	50	63	95	57	52	6	1.80	25.063	9042950250630
63	32	63	63	100	61	60	6	2.30	32.063	9042950320630