

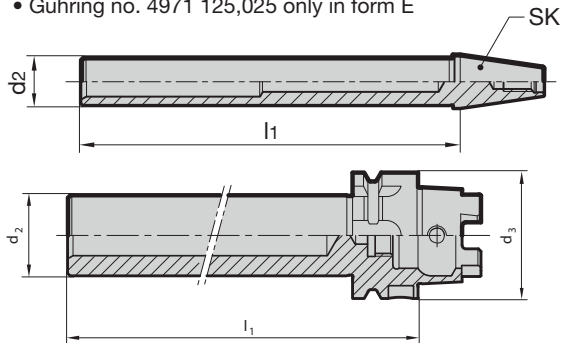
Taper proofing bars HSK/ISO

Product information

- to proof concentricity at machine spindles
- for HSK and ISO taper to DIN 69871
- calibration on request
- Guhring no. 4971 125,025 only in form E

Scope of delivery

- supplied in wooden case for vertical storage with inspection protocol



| | | | | Series Number | 4970 | 4971 |
|--------------------|-----------|-------------------|-------------------|---------------|---------------|------|
| HSK d ₁ | ISO taper | d ₂ mm | l ₁ mm | EDP Numbers | | |
| — | 40 | 40 | 320 | 9049703000400 | — | |
| — | 50 | 40 | 320 | 9049703000500 | — | |
| 25 | — | 20 | 140 | — | 9049711250250 | |
| 32 | — | 24 | 180 | — | 9049711500320 | |
| 40 | — | 24 | 180 | — | 9049711500400 | |
| 50 | — | 32 | 236 | — | 9049712000500 | |
| 63 | — | 40 | 346 | — | 9049713000630 | |
| 80 | — | 40 | 346 | — | 9049713000800 | |
| 100 | — | 40 | 349 | — | 9049713001000 | |

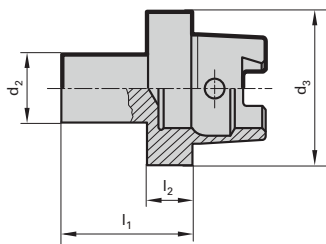
Balancing masters for HSK spindles

Product information

- for balancing HSK spindles clamping systems: holds the clamping elements in the clamped position
- balancing quality: G2.5 / 30,000 rev./min or U < 0.5 gmm
- calibration on request

Scope of delivery

- supplied in wooden case with inspection protocol



| | | | | Series Number | 4975 |
|----------------------|-------------------|-------------------|-------------------|---------------|------|
| HSK-C d ₃ | d ₂ mm | l ₁ mm | l ₂ mm | EDP Numbers | |
| 25 | 12 | 23 | 8 | 9049750250000 | |
| 32 | 12 | 25 | 10 | 9049750320000 | |
| 40 | 12 | 25 | 10 | 9049750400000 | |
| 50 | 20 | 37.5 | 12.5 | 9049750500000 | |
| 63 | 20 | 37.5 | 12.5 | 9049750630000 | |
| 80 | 20 | 46 | 16 | 9049750800000 | |
| 100 | 20 | 46 | 16 | 9049751000000 | |