

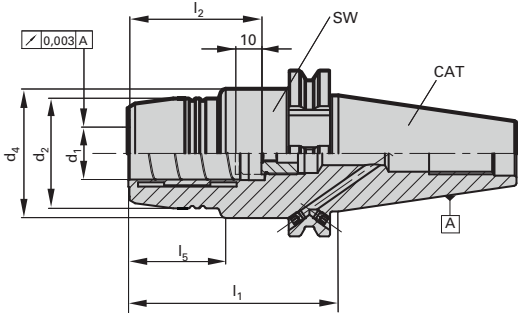
CAT hydraulic holder

Product information

- Balancing quality G6.3 / 15.000rev./min.
- Taper according to ANSI/ASME B 5.50
- Coolant through center and also through flange (plugged with set screws when supplied)
- Axial length setting
- CAT 40 - 5/8 x 11 retention knob thread
- CAT 50 - 1" x 8 retention knob thread

Scope of delivery

- Including setting screw, Guhring no. 4900
- Including hex wrench, Guhring no. 4912
- Special dimensions on request



Series Number **4216**

| CAT | for clamping dia. d1 in h6 inch | d ₂ mm | d ₄ mm | l ₁ mm | l ₂ mm | l ₅ mm | SW | incl. setting screw 4900 ... | Order Code | EDP Numbers |
|-----|---------------------------------|-------------------|-------------------|-------------------|-------------------|-------------------|----|------------------------------|------------|---------------|
| 40 | 1/4 | 26 | 44.5 | 64 | 37 | 29.5 | 5 | 9049000060140 | 106.040 | 9042161060400 |
| 40 | 3/8 | 30 | 44.5 | 64 | 41 | 31 | 5 | 9049000080140 | 109.040 | 9042161090400 |
| 40 | 1/2 | 32 | 44.5 | 64 | 46 | 31.5 | 5 | 9049000120140 | 112.040 | 9042161120400 |
| 40 | 5/8 | 38 | 44.5 | 64 | 49 | 33 | 5 | 9049000160140 | 115.040 | 9042161150400 |
| 40 | 3/4 | 40 | 44.5 | 64 | 49 | 33 | 5 | 9049000160140 | 119.040 | 9042161190400 |
| 40 | 1 | 49.5 | 44.5 | 81 | 57 | 40 | 6 | 9049000201140 | 125.040 | 9042161250400 |
| 40 | 1 1/4 | 63 | 80 | 81 | 61 | 25.5 | 6 | 9049000201140 | 131.040 | 9042161310400 |
| 50 | 1/4 | 26 | 69.9 | 81 | 37 | 29.5 | 5 | 9049000060140 | 106.050 | 9042161060500 |
| 50 | 3/8 | 30 | 69.9 | 81 | 41 | 31 | 5 | 9049000080140 | 109.050 | 9042161090500 |
| 50 | 1/2 | 32 | 69.9 | 81 | 46 | 31.5 | 5 | 9049000120140 | 112.050 | 9042161120500 |
| 50 | 5/8 | 38 | 69.9 | 81 | 49 | 33 | 5 | 9049000160140 | 115.050 | 9042161150500 |
| 50 | 3/4 | 40 | 69.9 | 81 | 49 | 33 | 5 | 9049000201140 | 119.050 | 9042161190500 |
| 50 | 1 | 57 | 69.9 | 81 | 57 | 40 | 6 | 9049000201140 | 125.050 | 9042161250500 |
| 50 | 1 1/4 | 63 | 69.9 | 81 | 61 | 45 | 6 | 9049000201140 | 131.050 | 9042161310500 |
| 40 | 6 | 26 | 44.5 | 64 | 37 | 29.5 | 5 | 9049000060140 | 6.040 | 9042160060400 |
| 40 | 8 | 28 | 44.5 | 64 | 37 | 30 | 5 | 9049000080140 | 8.040 | 9042160080400 |
| 40 | 10 | 30 | 44.5 | 64 | 41 | 31 | 5 | 9049000100140 | 10.040 | 9042160100400 |
| 40 | 12 | 32 | 44.5 | 64 | 46 | 31.5 | 5 | 9049000120140 | 12.040 | 9042160120400 |
| 40 | 14 | 34 | 44.5 | 64 | 46 | 31.5 | 5 | 9049000120140 | 14.040 | 9042160140400 |
| 40 | 16 | 38 | 44.5 | 64 | 49 | 33 | 5 | 9049000160140 | 16.040 | 9042160160400 |
| 40 | 18 | 40 | 44.5 | 64 | 49 | 33 | 5 | 9049000160140 | 18.040 | 9042160180400 |
| 40 | 20 | 42 | 44.5 | 64 | 51 | 34 | 5 | 9049000201140 | 20.040 | 9042160200400 |
| 40 | 25 | 49.5 | 44.5 | 81 | 57 | 40 | 6 | 9049000201140 | 25.040 | 9042160250400 |
| 40 | 32 | 63 | 80 | 81 | 61 | 25.5 | 6 | 9049000201140 | 32.040 | 9042160320400 |
| 50 | 6 | 26 | 69.9 | 81 | 37 | 29.5 | 5 | 9049000060140 | 6.050 | 9042160060500 |
| 50 | 8 | 28 | 69.9 | 81 | 37 | 30 | 5 | 9049000080140 | 8.050 | 9042160080500 |
| 50 | 10 | 30 | 69.9 | 81 | 41 | 31 | 5 | 9049000100140 | 10.050 | 9042160100500 |
| 50 | 12 | 32 | 69.9 | 81 | 46 | 31.5 | 5 | 9049000120140 | 12.050 | 9042160120500 |
| 50 | 14 | 34 | 69.9 | 81 | 46 | 31.5 | 5 | 9049000120140 | 14.050 | 9042160140500 |
| 50 | 16 | 38 | 69.9 | 81 | 49 | 33 | 5 | 9049000160140 | 16.050 | 9042160160500 |
| 50 | 18 | 40 | 69.9 | 81 | 49 | 33 | 5 | 9049000160140 | 18.050 | 9042160180500 |
| 50 | 20 | 42 | 69.9 | 81 | 51 | 34 | 5 | 9049000201140 | 20.050 | 9042160200500 |
| 50 | 25 | 57 | 69.9 | 81 | 57 | 40 | 6 | 9049000201140 | 25.050 | 9042160250500 |
| 50 | 32 | 63 | 69.9 | 81 | 61 | 45 | 6 | 9049000201140 | 32.050 | 9042160320500 |