

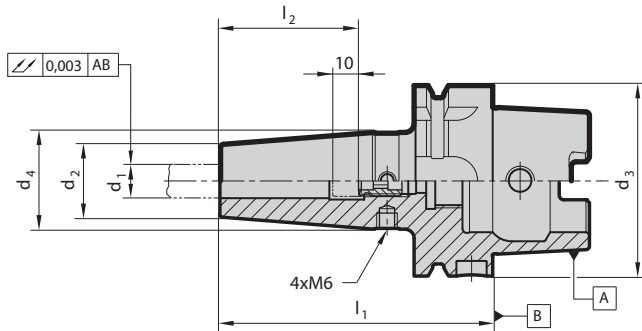
HSK-A shrink fit chucks

Product information

- balancing quality G6.3 / 15,000 rev./min
- incl. balancing thread 4xM6/6xM6
- to DIN 69882-8
- for tool shank tolerance h6
- also available in the lengths l1 = 120 mm, 160 mm (concentricity 5 µm) and 200 mm (concentricity 7 µm)

Scope of delivery

- incl. setting screw Guhring no. 4977 or 4904
- for conventional cooling order coolant delivery set, Guhring no. 4949, separately
- special dimensions on request



Series Number **4736**

HSK-A d ₃	for shank Ø d ₁ h6 mm	d ₂ mm	d ₄ mm	l ₁ mm	l ₂ mm	incl. setting screw Guh. no. Code no.	kg	Order Code	EDP Numbers
32	6	21	26	70	36	9049770060140	0.30	6.032	9047360060320
32	8	21	26	70	36	9049770080140	0.30	8.032	9047360080320
32	10	24	29	75	41	9049770100140	0.30	10.032	9047360100320
32	12	24	29	80	46	9049770120140	0.30	12.032	9047360120320
40	6	21	27	80	36	9049770060140	0.40	6.040	9047360060400
40	8	21	27	80	36	9049770080140	0.40	8.040	9047360080400
40	10	24	32	80	41	9049770100140	0.50	10.040	9047360100400
40	12	24	32	90	46	9049770120140	0.50	12.040	9047360120400
40	14	27	34	90	46	9049770120140	0.60	14.040	9047360140400
40	16	27	34	90	49	9049770160140	0.50	16.040	9047360160400
40	18	33	42	95	49	9049770160140	0.90	18.040	9047360180400
40	20	33	42	100	51	9049770201140	0.90	20.040	9047360200400
50	6	21	27	80	36	9049770060140	0.60	6.050	9047360060500
50	8	21	27	80	36	9049770080140	0.60	8.050	9047360080500
50	10	24	32	85	41	9049770100140	0.70	10.050	9047360100500
50	12	24	32	90	46	9049770120140	0.70	12.050	9047360120500
50	14	27	34	90	46	9049770120140	0.70	14.050	9047360140500
50	16	27	34	95	49	9049770160140	1.00	16.050	9047360160500
50	18	33	42	95	49	9049770160140	0.90	18.050	9047360180500
50	20	33	42	100	51	9049770201140	0.90	20.050	9047360200500
63	1/8	10	18	80	36	9049040050160	0.70	903.063	9047369030630
63	3/16	10	18	80	40	9049040080180	0.70	904.063	9047369040630
63	1/4	20	27	80	36	9049770060140	0.80	906.063	9047369060630
63	5/16	21	27	80	36	9049770080140	0.80	907.063	9047369070630
63	3/8	24	32	85	41	9049770080140	0.80	909.063	9047369090630
63	1/2	24	32	90	46	9049770120140	0.90	912.063	9047369120630
63	5/8	27	34	95	49	9049770120140	1.00	915.063	9047369150630
63	3/4	33	42	100	49	9049770160140	1.20	919.063	9047369190630
63	1	44	53	115	57	9049770201140	1.80	925.063	9047369250630
63	3	10	18	80	30	9049040050160	0.70	3.063	9047360030630
63	4	10	18	80	35	9049040060160	0.70	4.063	9047360040630
63	5	10	18	80	40	9049040080180	0.70	5.063	9047360050630
63	6	21	27	80	36	9049770060140	0.80	6.063	9047360060630
63	8	21	27	80	36	9049770080140	0.80	8.063	9047360080630
63	10	24	32	85	41	9049770100140	0.90	10.063	9047360100630
63	12	24	32	90	46	9049770120140	0.90	12.063	9047360120630
63	14	27	34	90	46	9049770120140	1.00	14.063	9047360140630