

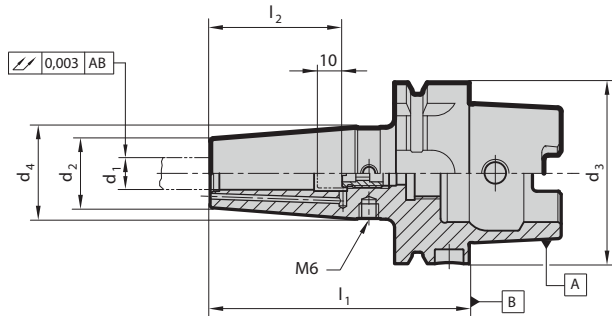
HSK-A shrink fit chucks GÜHROJET with peripheral cooling

Product information

- balancing quality G6.3 / 15,000 rev./min
- incl. balancing thread 4xM6/6xM6
- for tool shank tolerance h6
- to DIN 69882-8
- optimised cooling for tools without internal coolant ducts
- good chip evacuation and increased process reliability

Scope of delivery

- incl. setting screw Guhring no. 4938
- for conventional cooling order coolant delivery set, Guhring no. 4949, separately
- special dimensions on request



GÜHROJET

Series Number **4755**

HSK-A d ₃	for shank Ø d ₁ h ₆ mm	d ₂ mm	d ₄ mm	l ₁ mm	l ₂ mm	incl. setting screw Guh. no. 4938 ...	kg	Order Code	EDP Numbers
40	6	21	27	80	36	9049380060000	0.50	6.040	9047550060400
40	8	21	27	80	36	9049380080000	0.50	8.040	9047550080400
40	10	24	32	80	41	9049380100000	0.50	10.040	9047550100400
40	12	24	32	90	46	9049380120000	0.50	12.040	9047550120400
40	14	27	33.5	90	46	9049380120000	0.50	14.040	9047550140400
40	16	27	33.5	90	49	9049380160000	0.50	16.040	9047550160400
50	6	21	27	80	36	9049380060000	0.60	6.050	9047550060500
50	8	21	27	80	36	9049380080000	0.60	8.050	9047550080500
50	10	24	32	85	41	9049380100000	0.60	10.050	9047550100500
50	12	24	32	90	46	9049380120000	0.70	12.050	9047550120500
50	14	27	34	90	46	9049380120000	0.70	14.050	9047550140500
50	16	27	34	95	49	9049380160000	0.70	16.050	9047550160500
50	18	33	41.5	95	49	9049380160000	0.90	18.050	9047550180500
50	20	33	41.5	100	51	9049380200000	0.90	20.050	9047550200500
63	6	21	27	80	36	9049380060000	0.80	6.063	9047550060630
63	8	21	27	80	36	9049380080000	0.80	8.063	9047550080630
63	10	24	32	85	41	9049380100000	0.90	10.063	9047550100630
63	12	24	32	90	46	9049380120000	0.90	12.063	9047550120630
63	14	27	34	90	46	9049380120000	1.00	14.063	9047550140630
63	16	27	34	95	49	9049380160000	1.00	16.063	9047550160630
63	18	33	42	95	49	9049380160000	1.20	18.063	9047550180630
63	20	33	42	100	51	9049380200000	1.20	20.063	9047550200630
63	6	21	27	120	36	9049380060000	0.90	206.063	9047552060630
63	8	21	27	120	36	9049380080000	0.90	208.063	9047552080630
63	10	24	32	120	41	9049380100000	1.10	210.063	9047552100630
63	12	24	32	120	46	9049380120000	1.20	212.063	9047552120630
63	14	27	34	120	46	9049380120000	1.20	214.063	9047552140630
63	16	27	34	120	49	9049380160000	1.20	216.063	9047552160630
63	18	33	42	120	49	9049380160000	1.20	218.063	9047552180630
63	20	33	42	120	51	9049380200000	1.40	220.063	9047552200630
100	6	21	27	85	36	9049380060000	2.20	6.100	9047550061000
100	8	21	27	85	36	9049380080000	2.20	8.100	9047550081000
100	10	24	32	90	41	9049380100000	2.30	10.100	9047550101000
100	12	24	32	95	46	9049380120000	2.30	12.100	9047550121000
100	14	27	34	95	46	9049380120000	2.30	14.100	9047550141000
100	16	27	34	100	49	9049380160000	2.30	16.100	9047550161000
100	18	33	42	100	49	9049380160000	2.50	18.100	9047550181000
100	20	33	42	105	51	9049380200000	2.50	20.100	9047550201000
100	25	44	53	115	57	9049380200000	3.00	25.100	9047550251000
100	32	44	53	120	61	9049380200000	3.00	32.100	9047550321000