

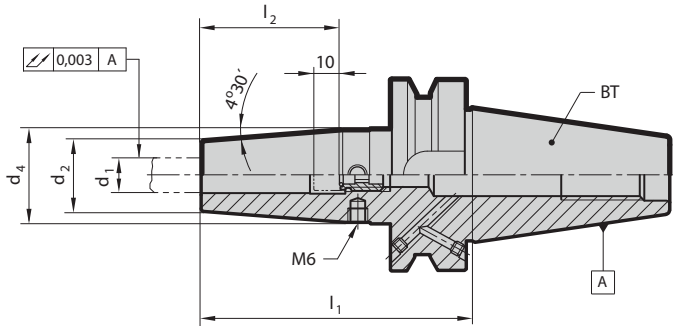
MAS/BT shrink fit chucks

Product information

- balancing quality G6.3 / 15,000 rev./min
- incl. balancing thread 4xM6/6xM6
- MAS/BT to JIS B 6339 form AD/B
(*: version AD without coolant supply over collar)
- for tool shank tolerance h6

Scope of delivery

- incl. setting screw Guhring no. 4977 bzw. 4904
- order pull studs Guhring no. 4927, 4928 separately
- special dimensions on request



Series Number **4739**

| MAS/BT | for shank Ø $d_{1, h6}$ mm/inch | d_2 mm | d_4 mm | l_1 mm | l_2 mm | incl. setting screw Guh. no. Code no. | kg | Order Code | EDP Numbers |
|--------|------------------------------------|----------|----------|----------|----------|--|------|------------|---------------|
| 30* | 1/8 | 10 | 18 | 80 | 34 | 9049040050160 | 0.60 | 103.030 | 9047391030300 |
| 30* | 3/16 | 10 | 18 | 80 | 34 | 9049040080180 | 0.60 | 104.030 | 9047391040300 |
| 30* | 1/4 | 21 | 27 | 80 | 36 | 9049770060140 | 0.60 | 106.030 | 9047391060300 |
| 30* | 5/16 | 21 | 27 | 80 | 36 | 9049770080140 | 0.70 | 107.030 | 9047391070300 |
| 30* | 3/8 | 24 | 32 | 80 | 41 | 9049770080140 | | 109.030 | 9047391090300 |
| 30* | 1/2 | 24 | 34 | 80 | 46 | 9049770120140 | 0.70 | 112.030 | 9047391120300 |
| 30* | 5/8 | 27 | 34 | 80 | 49 | 9049770160140 | 0.80 | 115.030 | 9047391150300 |
| 30* | 3/4 | 33 | 42 | 90 | 51 | 9049770160140 | 0.90 | 119.030 | 9047391190300 |
| 30* | 3 | 10 | 18 | 80 | 30 | 9049040050160 | 0.60 | 3.030 | 9047390030300 |
| 30* | 4 | 10 | 18 | 80 | 35 | 9049040060160 | 0.60 | 4.030 | 9047390040300 |
| 30* | 5 | 10 | 18 | 80 | 40 | 9049040080180 | 0.6 | 5.030 | 9047390050300 |
| 30* | 6 | 21 | 27 | 80 | 36 | 9049770060140 | 0.70 | 6.030 | 9047390060300 |
| 30* | 8 | 21 | 27 | 80 | 36 | 9049770080140 | 0.70 | 8.030 | 9047390080300 |
| 30* | 10 | 24 | 32 | 80 | 41 | 9049770100140 | 0.80 | 10.030 | 9047390100300 |
| 30* | 12 | 24 | 32 | 80 | 46 | 9049770120140 | 0.80 | 12.030 | 9047390120300 |
| 30* | 14 | 27 | 34 | 80 | 46 | 9049770120140 | 0.80 | 14.030 | 9047390140300 |
| 30* | 16 | 27 | 34 | 80 | 49 | 9049770160140 | 0.80 | 16.030 | 9047390160300 |
| 30* | 18 | 33 | 42 | 90 | 49 | 9049770160140 | 0.90 | 18.030 | 9047390180300 |
| 30* | 20 | 33 | 42 | 90 | 51 | 9049770201140 | 0.90 | 20.030 | 9047390200300 |
| 40 | 3 | 10 | 18 | 85 | 30 | 9049040050160 | 1.00 | 3.040 | 9047390030400 |
| 40 | 4 | 10 | 18 | 85 | 35 | 9049040060160 | 1.00 | 4.040 | 9047390040400 |
| 40 | 5 | 10 | 18 | 85 | 40 | 9049040080180 | 1.00 | 5.040 | 9047390050400 |
| 40 | 6 | 21 | 27 | 90 | 36 | 9049770060140 | 1.20 | 6.040 | 9047390060400 |
| 40 | 8 | 21 | 27 | 90 | 36 | 9049770080140 | 1.20 | 8.040 | 9047390080400 |
| 40 | 10 | 24 | 32 | 90 | 41 | 9049770100140 | 1.30 | 10.040 | 9047390100400 |
| 40 | 12 | 24 | 32 | 90 | 46 | 9049770120140 | 1.30 | 12.040 | 9047390120400 |
| 40 | 14 | 27 | 34 | 90 | 46 | 9049770120140 | 1.40 | 14.040 | 9047390140400 |
| 40 | 16 | 27 | 34 | 90 | 49 | 9049770160140 | 1.40 | 16.040 | 9047390160400 |
| 40 | 18 | 33 | 42 | 90 | 49 | 9049770160140 | 1.40 | 18.040 | 9047390180400 |
| 40 | 20 | 33 | 42 | 90 | 51 | 9049770201140 | 1.70 | 20.040 | 9047390200400 |
| 40 | 25 | 44 | 53 | 100 | 57 | 9049770201140 | 1.80 | 25.040 | 9047390250400 |
| 40 | 32 | 44 | 53 | 100 | 61 | 9049770201140 | 1.70 | 32.040 | 9047390320400 |
| 40 | 6 | 21 | 27 | 130 | 36 | 9049770060140 | 1.30 | 6.140 | 9047390061400 |
| 40 | 8 | 24 | 32 | 130 | 41 | 9049770080140 | 1.30 | 8.140 | 9047390081400 |
| 40 | 10 | 24 | 32 | 130 | 46 | 9049770100140 | 1.40 | 10.140 | 9047390101400 |
| 40 | 12 | 27 | 34 | 130 | 46 | 9049770120140 | 1.40 | 12.140 | 9047390121400 |
| 40 | 14 | 27 | 34 | 130 | 49 | 9049770120140 | 1.40 | 14.140 | 9047390141400 |
| 40 | 16 | 33 | 42 | 130 | 49 | 9049770160140 | 1.50 | 16.140 | 9047390161400 |