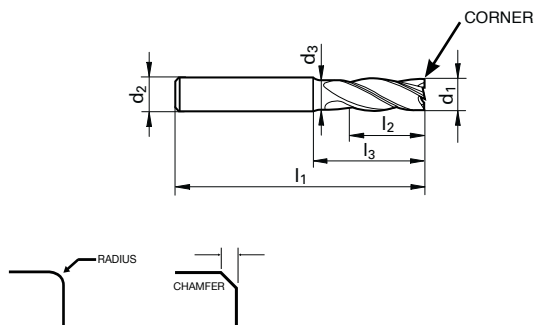


METRIC

Uni-Pro 4-flute



Dia.	Shank Dia.	OAL	LOC	Reach	Corner		HA		HA		HB		
					Radius mm	Chamfer mm	EDP No. Bright Finish	Series Number	EDP No. FIREX® Coated	Series Number	EDP No. FIREX® Coated	Series Number	
12.0	12.0	83	26			0.15		9033040120000	3304	9036780120000	3678		
12.0	12.0	150	45			0.15		9030120120000	3012	9030230120000	3023		
13.0	13.0	83	26			0.15		9033040130000	3304	9036780130000	3678		
14.0	14.0	75	18			0.15				9036370140000	3637	9037210140000	3721
14.0	14.0	83	26			0.15		9033040140000	3304	9036780140000	3678		
14.0	14.0	150	45			0.15		9030120140000	3012	9030230140000	3023		
15.0	15.0	92	32			0.15		9033040150000	3304				
16.0	16.0	82	22			0.15				9036370160000	3637	9037210160000	3721
16.0	16.0	92	32	44	1.0			9031110160100	3111	9035620160100	3562		
16.0	16.0	92	32	44	1.5			9031110160150	3111	9035620160150	3562		
16.0	16.0	92	32	44	2.0			9031110160200	3111	9035620160200	3562		
16.0	16.0	92	32			0.15		9033040160000	3304	9036780160000	3678		
16.0	16.0	150	65			0.15		9030120160000	3012	9030230160000	3023		
18.0	18.0	84	24			0.15				9036370180000	3637	9037210180000	3721
18.0	18.0	92	32			0.15		9033040180000	3304	9036780180000	3678		
18.0	16.0	150	65			0.15		9030120180000	3012	9030230180000	3023		
20.0	20.0	92	26			0.15				9036370200000	3637	9037210200000	3721
20.0	20.0	104	38	54	1.0			9031110200100	3111	9035620200100	3562		
20.0	20.0	104	38	54	1.5			9031110200150	3111	9035620200150	3562		
20.0	20.0	104	38	54	2.0			9031110200200	3111	9035620200200	3562		
20.0	20.0	104	38			0.15		9033040200000	3304	9036780200000	3678		
20.0	20.0	150	65			0.15		9030120200000	3012	9030230200000	3023		

* Indicates reduced neck style