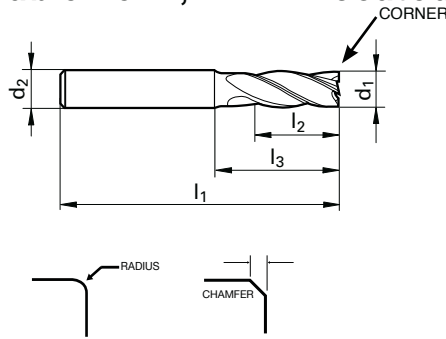


FRACTIONAL

RF 100 U 4-Flute

Variable helix, FIREX® coated

TYPE	N
HELIX ANGLE	35° 38°
NUMBER of TEETH	4



Includes Series	
INCH	
	3079
	3099
	3100
	3113
	3114
	4250
	4251
	4252
	4253

d₁ tolerance h10
d₂ tolerance h6
See table on page 150

Diameter	Shank Diameter	OAL	LOC	Reach	Corner		HA		HB	
					Radius Inch	Chamfer Inch	EDP No.	Series Number	EDP No.	Series Number
1/8	1/8	2	3/8			0.002	9031140031700	3114		
3/16	3/16	2	3/8			0.004	9031130047600	3113		
3/16	3/16	2	5/8			0.004	9031140047600	3114		
3/16	3/16	2 1/2	5/8	1		0.004	9042510047600	4251		
3/16	3/16	2 1/2	3/4			0.004	9042500047600	4250		
1/4	1/4	2	1/2			0.006	9031130063500	3113		
1/4	1/4	2 1/2	3/4			0.015	9030790063520	3079		
1/4	1/4	2 1/2	3/4			0.031	9030790063540	3079		
1/4	1/4	2 1/2	3/4			0.006	9031140063500	3114		
1/4	1/4	3 1/4	3/4	1 3/4		0.006	9042510063500	4251		
1/4	1/4	3 1/4	1 1/4			0.006	9042500063500	4250		
1/4	1/4	4	1 3/4			0.006	9042520063500	4252		
5/16	5/16	2	1/2			0.006	9031130079400	3113		
5/16	5/16	2 1/2	13/16			0.031	9030790079440	3079		
5/16	5/16	2 1/2	13/16			0.006	9031140079400	3114		
5/16	5/16	3 1/4	13/16	1 3/4		0.006	9042510079400	4251		
5/16	5/16	3 1/4	1 1/2			0.006	9042500079400	4250		
5/16	5/16	4	1 3/4			0.006	9042520079400	4252		
3/8	3/8	2	5/8			0.008	9031130095200	3113	9030990095200	3099
3/8	3/8	2 1/2	1			0.031	9030790095240	3079		
3/8	3/8	2 1/2	1			0.008	9031140095200	3114	9031000095200	3100
3/8	3/8	4	1	2 1/4		0.008	9042510095200	4251		
3/8	3/8	4	1 3/4			0.008	9042500095200	4250		
3/8	3/8	4	2 1/4			0.008	9042520095200	4252		
7/16	7/16	2 3/4	1			0.031	9030790111140	3079		
7/16	7/16	2 3/4	1			0.008	9031140111100	3114		
7/16	7/16	4 1/2	1	2 1/2		0.008	9042510111100	4251		
7/16	7/16	4 1/2	2			0.008	9042500111100	4250		
7/16	7/16	5	3			0.008	9042520111100	4252		
1/2	1/2	2 1/2	5/8			0.010	9031130127000	3113	9030990127000	3099
1/2	1/2	3	1			0.010	9031140127000	3114	9031000127000	3100
1/2	1/2	3 1/2	1 1/4			0.031			9030790127040	3079
1/2	1/2	3 1/2	1 1/4			0.040			9030790127050	3079
1/2	1/2	3 1/2	1 1/4			0.062			9030790127060	3079
1/2	1/2	3 1/2	1 1/4			0.090			9030790127070	3079

* Indicates reduced neck style

Continued on next page