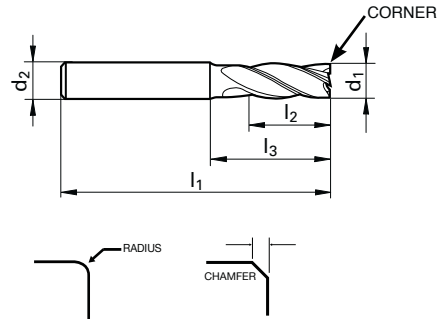


RF 100 U 4-Flute

Variable helix, FIREX[®] coated



(Continued from previous page)

Diameter	Shank Diameter	OAL	LOC	Reach	Corner		HA		HB	
					Radius Inch	Chamfer Inch	EDP No.	Series Number	EDP No.	Series Number
(d1) Frac	(d2) Frac	(l1) Frac	(l2) Frac	*(l3) Frac						
1/2	1/2	4 1/2	1 1/4	2 1/2		0.010			9042510127000	4251
1/2	1/2	4 1/2	2			0.010			9042500127000	4250
1/2	1/2	5	3			0.010			9042520127000	4252
1/2	1/2	6	3 1/2			0.010			9042530127000	4253
5/8	5/8	3	3/4			0.014	9031130158700		9030990158700	3099
5/8	5/8	3 1/2	1 1/4			0.031			9030790158740	3079
5/8	5/8	3 1/2	1 1/4			0.062			9030790158760	3079
5/8	5/8	3 1/2	1 1/4			0.014	9031140158700	3114	9031000158700	3100
5/8	5/8	5	1 1/4	2 1/2		0.014			9042510158700	4251
5/8	5/8	5	2 1/4			0.014			9042500158700	4250
5/8	5/8	6	3			0.014			9042520158700	4252
5/8	5/8	6	3 3/4			0.014			9042530158700	4253
3/4	3/4	3	1			0.018	9031130190500	3113	9030990190500	3099
3/4	3/4	4	1 1/2			0.062			9030790190560	3079
3/4	3/4	4	1 1/2			0.090			9030790190570	3079
3/4	3/4	4	1 1/2			0.125			9030790190590	3079
3/4	3/4	4	1 1/2			0.018	9031140190500	3114	9031000190500	3100
3/4	3/4	5	1 1/2	2 1/2		0.018			9042510190500	4251
3/4	3/4	5	2 1/4			0.018			9042500190500	4250
3/4	3/4	6	3 1/8			0.018			9042520190500	4252
3/4	3/4	6 1/2	4			0.018			9042530190500	4253
1	1	3	1			0.031	9031130254000	3113	9030990254000	3099
1	1	4	1 1/2			0.062			9030790254060	3079
1	1	4	1 1/2			0.090			9030790254070	3079
1	1	4	1 1/2			0.125			9030790254090	3079
1	1	4	1 1/2			0.031	9031140254000	3114	9031000254000	3100
1	1	5	1 1/2	2 5/8		0.031			9042510254000	4251
1	1	5	2 1/4			0.031			9042500254000	4250
1	1	6	3 1/8			0.031			9042520254000	4252
1	1	7	4			0.031			9042530254000	4253
1 1/4	1 1/4	6	2 1/2			0.031	9031140317500	3114		
1 1/4	1 1/4	7 1/2	4			0.031			9042520317500	4252

* Indicates reduced neck style