

FRACTIONAL

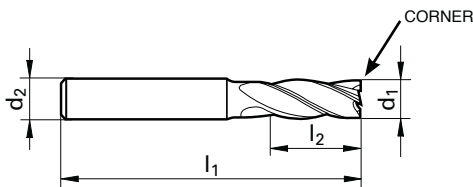
RF 100 F 4-flute

Variable helix, FIREX® coated

Includes Series
INCH
3078



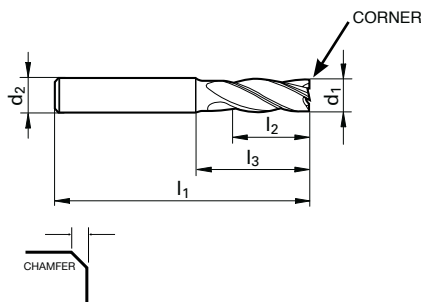
TYPE	NH
HELIX ANGLE	40° 42°
NUMBER of TEETH	4



d₁ tolerance h10
d₂ tolerance h6
See table on page 150

Diameter	Shank Diameter	OAL	LOC	Corner	HA		HB	
(d1) Frac	(d2) Frac	(l1) Frac	(l2) Frac	Chamfer Inch	EDP No.	Series Number	EDP No.	Series Number
3/16	3/16	2	5/8	0.004	9030780047600	3078		
1/4	1/4	2 1/2	3/4	0.006	9030780063500	3078		
5/16	5/16	2 1/2	13/16	0.006	9030780079400	3078		
3/8	3/8	2 1/2	1	0.008	9030780095200	3078		
1/2	1/2	3 1/2	1 1/4	0.010			9030780127000	3078
5/8	5/8	3 1/2	1 1/4	0.014			9030780158700	3078
3/4	3/4	4	1 1/2	0.018			9030780190500	3078

METRIC



Includes Series
METRIC
*3366
3629
3630

*Coolant through

Diameter	Shank Diameter	OAL	LOC	Reach	Corner	HA		HB		HB	
(d1) mm	(d2) mm	(l1) mm	(l2) mm	*(l3) mm	Chamfer mm	EDP No.	Series Number	EDP No.	Series Number	EDP No.	Series Number
4.0	6.0	57	11	18	0.10	9036290040000	3629	9036300040000	3630		
5.0	6.0	57	13	18	0.10	9036290050000	3629	9036300050000	3630		
6.0	6.0	57	13	21	0.15	9036290060000	3629	9036300060000	3630	9033660060000	3366
8.0	8.0	63	19	27	0.15	9036290080000	3629	9036300080000	3630	9033660080000	3366
10.0	10.0	72	22	32	0.20	9036290100000	3629	9036300100000	3630	9033660100000	3366
12.0	12.0	83	26	38	0.20	9036290120000	3629	9036300120000	3630	9033660120000	3366
16.0	16.0	92	32	44	0.35	9036290160000	3629	9036300160000	3630	9033660160000	3366
20.0	20.0	104	38	54	0.45	9036290200000	3629	9036300200000	3630	9033660200000	3366

* Indicates reduced neck style