

METRIC

RF 100 VA/NF

Variable helix, Rougher, 4-flute, nano-A coated

Includes Series

METRIC

3696

3718

3733

3885

TYPE

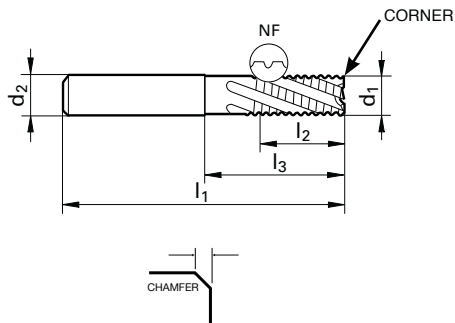
NF

HELIX ANGLE

36°
38°

NUMBER of TEETH

4



d₁ tolerance h10
d₂ tolerance h6
See table on page 150

Diameter	Shank Diameter	OAL	LOC	Reach	Corner	HA		HB	
						EDP No.	Series Number	EDP No.	Series Number
5.0	6.0	57	13	18	0.20	9036960050000	3696	9037180050000	3718
6.0	6.0	57	13	21	0.30	9036960060000	3696	9037180060000	3718
6.0	6.0	65	10	29	0.30	9037330060000	3733	9038850060000	3885
7.0	8.0	63	16	27	0.30	9036960070000	3696	9037180070000	3718
8.0	8.0	63	19	27	0.30	9036960080000	3696	9037180080000	3718
8.0	8.0	75	12	39	0.30	9037330080000	3733	9038850080000	3885
9.0	10.0	72	19	32	0.30	9036960090000	3696	9037180090000	3718
10.0	10.0	72	22	32	0.30	9036960100000	3696	9037180100000	3718
10.0	10.0	80	14	40	0.30	9037330100000	3733	9038850100000	3885
12.0	12.0	83	26	38	0.50	9036960120000	3696	9037180120000	3718
12.0	12.0	93	16	48	0.50	9037330120000	3733	9038850120000	3885
14.0	14.0	83	26	38	0.50	9036960140000	3696	9037180140000	3718
16.0	16.0	92	32	44	0.50	9036960160000	3696	9037180160000	3718
16.0	16.0	108	22	60	0.50	9037330160000	3733	9038850160000	3885
18.0	20.0	92	32	44	0.50	9036960180000	3696	9037180180000	3718
20.0	20.0	104	38	54	0.50	9036960200000	3696	9037180200000	3718
20.0	20.0	126	26	76	0.50	9037330200000	3733	9038850200000	3885
25.0	25.0	121	45	65	0.80	9036960250000	3696	9037180250000	3718

* Indicates reduced neck style