

FRACTIONAL

RF 100 S/F 6-Flute

Variable helix, FIREX® coated

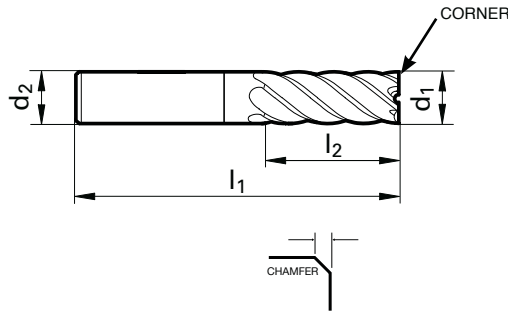
Includes Series

INCH

3115



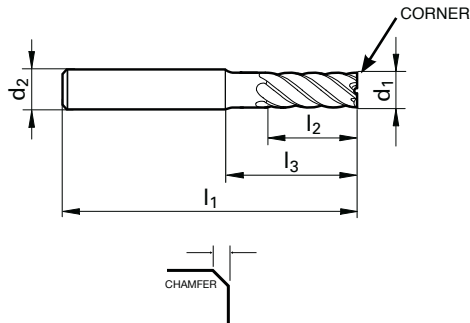
TYPE	NH
HELIX ANGLE	44° 45° 46°
NUMBER of TEETH	6



d₁ tolerance h10
d₂ tolerance h6
See table on page 150

Diameter	Shank Diameter	OAL	LOC		HA	
(d1) Frac	(d2) Frac	(l1) Frac	(l2) Frac	Chamfer Inch	EDP No.	Series Number
5/16	5/16	2 1/2	13/16	0.004	9031150079400	3115
3/8	3/8	2 1/2	1	0.004	9031150095200	3115
1/2	1/2	3	1	0.006	9031150127000	3115
5/8	5/8	3 1/2	1 1/4	0.006	9031150158700	3115
3/4	3/4	4	1 1/2	0.006	9031150190500	3115
1	1	4	1 1/2	0.012	9031150254000	3115

METRIC



Includes Series

METRIC

3631

3632

Diameter	Shank Diameter	OAL	LOC	Reach	Corner	HA	HB		
(d1) Frac	(d2) Frac	(l1) Frac	(l2) Frac	*(l3) Frac	Chamfer Inch	EDP No.	Series Number	EDP No.	Series Number
8.0	8.0	63	19	27	0.10	9036310080000	3631	9036320080000	3632
10.0	10.0	72	22	32	0.10	9036310100000	3631	9036320100000	3632
12.0	12.0	83	26	38	0.15	9036310120000	3631	9036320120000	3632
16.0	16.0	92	32	44	0.15	9036310160000	3631	9036320160000	3632
20.0	20.0	104	38	54	0.15	9036310200000	3631	9036320200000	3632
25.0	25.0	121	45	65	0.20	9036310250000	3631	9036320250000	3632

* Indicates reduced neck style