

METRIC

# RF 100 H 4-Flute

Variable helix, TiALN coated

Includes Series

METRIC

3895

3896



TYPE

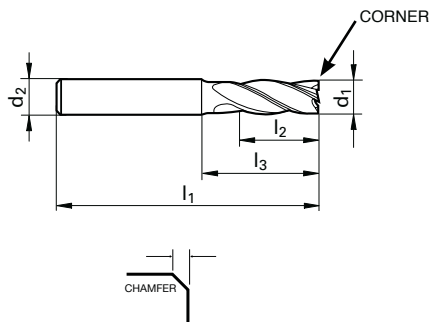
H

HELIX ANGLE

40°  
42°

NUMBER of TEETH

4



$d_1$  tolerance h10  
 $d_2$  tolerance h6  
See table on page 150

Diameter	Shank Diameter	OAL	LOC	Reach	Corner	HA		HB	
						EDP No.	Series Number	EDP No.	Series Number
6.0	6.0	57	13	21	0.20	9038950060000	3895	9038960060000	3896
8.0	8.0	63	19	27	0.25	9038950080000	3895	9038960080000	3896
10.0	10.0	72	22	32	0.30	9038950100000	3895	9038960100000	3896
12.0	12.0	83	26	38	0.35	9038950120000	3895	9038960120000	3896
16.0	16.0	92	32	44	0.50	9038950160000	3895	9038960160000	3896
20.0	20.0	104	38	54	0.60	9038950200000	3895	9038960200000	3896

\* Indicates reduced neck style