

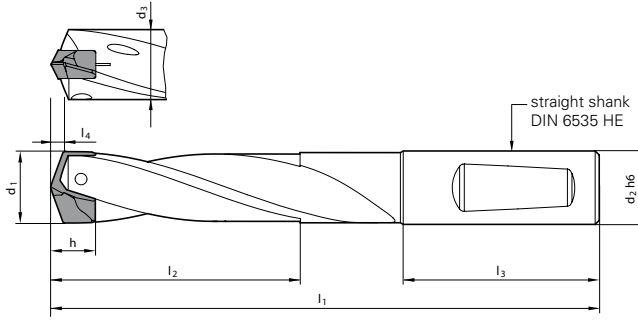
HT 800 WP Interchangeable Insert Holders 5 x D

Order no. = Guhring no. + Code-no.

Guhring no.
Discount group

4108

140



*l1 with drilling insert Guhring no. 4112, 4113 or 4114 only. With pilot insert Guhring no. 4111, see h and l4 dimensions page 8 to 11!



Availability

Code no.	Holder size	d1 mm	d2h6 mm	d3 mm	incl. WP l1* mm	l2 max mm	l3 mm
21,500	215	21.50 - 21.99	25.00	21.20	207.00	114.10	56.00
21,505	215	21.50 - 21.99	25.40	21.20	207.00	114.10	56.00
22,000	220	22.00 - 22.49	25.00	21.70	210.00	116.70	56.00
22,005	220	22.00 - 22.49	25.40	21.70	210.00	116.70	56.00
22,500	225	22.50 - 22.99	25.00	22.20	214.00	119.30	56.00
22,505	225	22.50 - 22.99	25.40	22.20	214.00	119.30	56.00
23,000	230	23.00 - 23.49	25.00	22.70	217.00	121.90	56.00
23,005	230	23.00 - 23.49	25.40	22.70	217.00	121.90	56.00
23,500	235	23.50 - 23.99	25.00	23.20	221.00	124.50	56.00
23,505	235	23.50 - 23.99	25.40	23.20	221.00	124.50	56.00
24,000	240	24.00 - 24.49	25.00	23.70	224.00	127.10	56.00
24,005	240	24.00 - 24.49	25.40	23.70	224.00	127.10	56.00
24,500	245	24.50 - 24.99	25.00	24.20	227.00	129.70	56.00
24,505	245	24.50 - 24.99	25.40	24.20	227.00	129.70	56.00
25,000	250	25.00 - 25.49	25.00	24.70	231.00	132.30	56.00
25,005	250	25.00 - 25.49	25.40	24.70	231.00	132.30	56.00
25,500	255	25.50 - 25.99	32.00	25.20	239.00	134.90	60.00
25,505	255	25.50 - 25.99	31.75	25.20	239.00	134.90	60.00

Availability
●
●
●
●
●
●
●
●
●
●
●
●
●
●
●
●
●
●
●
●
●
●
●

Holders are always supplied with clamping screw, Guhring no. 4071, and clamping key, Guhring no. 1612.