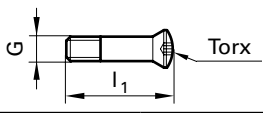

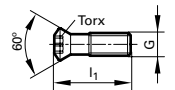


## Clamping screws

Order no. = Guhring no. + Code-no.		Guhring no. Discount group			4071
					140
					
Code no.	Holder size	G	l1 mm	with Torx	Availability
2.200	115	M2.2	10.0	T7	●
2.201	120/125	M2.2	11.0	T7	●
2.500	130/135	M2.5	12.0	T8	●
3.000	140/145	M3	12.85	T9	●
3.001	150/155	M3	13.85	T9	●
3.500	160/170	M3.5	15.0	T10	●
4.000	180/190	M4	17.0	T15	●
4.500	200/210	M4.5	19.0	T15	●
5.000	220/230	M5	21.0	T20	●
5.001	240/250	M5	23.0	T20	●

## Clamping screws

Order no. = Guhring no. + Code-no.		Guhring no. Discount group			6128
					122
					Availability
Code no.	Holder size	G	l1 mm	with Torx	Availability
2,000	110 - 140	M2.0	5.5	T6	●
2,500	160 - 240	M2.5	5.3	T7	●

