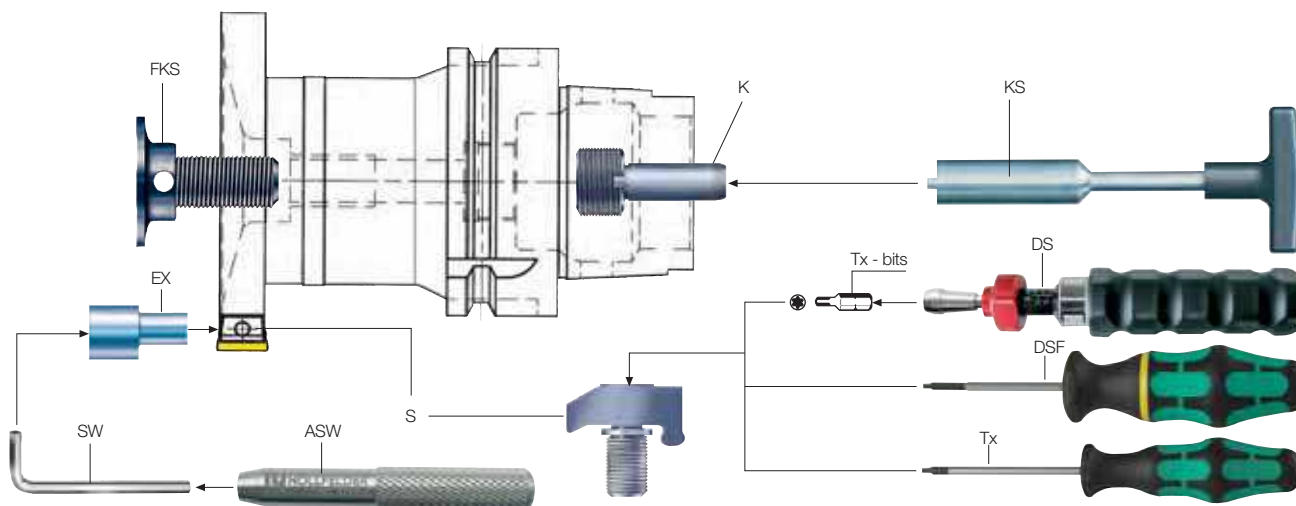


Spare parts

Milling cutters

Spare parts and handling tools



Tool	S	Tx	DS	DSF	Tx-bits	EX	SW	ASW	FKS	K	KS
H 3108-..... R	E 4265	Tx 6	E 5400-6	E 5000	Tx 6-bit	E 4349	SW 1,3	E 5005			
									for monobloc	DIN 69893	
H 6120-..... R	E 4119	Tx 8	E 5400-8	E 5001	Tx 8-bit	E 4120	SW 1,5	E 5005		Viton-seals included	
									Ø 32 E 4193	for HSK 32 E 2807-1	E 4298
									Ø 40 E 4192	for HSK 40 E 2807-2	E 4299
									Ø 50 E 4230	for HSK 50 E 2807-3	E 4300
									Ø 63 E 4154	for HSK 63 E 2807-4	E 4301
									Ø 80 E 4121	for HSK 80 E 2807-5	E 4302
									Ø 100 E 4247-1	for HSK 100 E 2807-6	E 4303
									Ø 125 E 4247-1		
									Ø 160 E 4275-1		
									for put-on milling cutters		
									Ø 40 E 3805		
									Ø 50 E 3806		
									Ø 63 E 3806		
									Ø 80 E 4079		
									Ø 100 E 4247-2		
									Ø 125 E 4275-2		
									Ø 160 E 4275-2		

Assembly paste E 5162

Please note: Clamping set S contains:

1 Clamping set, 1 sealing ring, 1 clamping screw

S Clamping set

Tx Torx-screw driver

DS Torque wrench adjustable (E 5000...)

DSF Torque wrench fixed (E 5400...)

Tx-bits Torx-bits

EX Eccentric bolt

SW Adjusting key

ASW Adaptor

FKS Coolant distribution screw

K Coolant pipe

KS Key for coolant pipe

Ordering numbers for spare parts see pages 127-129